

Technical data sheet

Product features



Tilting bratt pan electric

Model	SAP Code	00020396
BRM 780 E	A group of articles - web	Pans



- Bottom material: Steel
- Bottom thickness: 12.00
- Basin volume [l]: 50
- Usable volume [l]: 50
- Tilting: Motorised
- Filling: Mechanical cock
- Type of pan: Tilting
- Basin shape: Practically shaped bathtub spout to minimize spillage
- Protection of controls: IP24
- Service accessibility: Trough the frontal panel

SAP Code	00020396	Loading	400 V / 3N - 50 Hz
Net Width [mm]	800	Bottom material	Steel
Net Depth [mm]	730	Basin volume [l]	50
Net Height [mm]	900	Usable volume [l]	50
Net Weight [kg]	157.40	Tilting	Motorised
Power electric [kW]	10.500		

Technical data sheet

Technical drawing



Tilting bratt pan electric

Model

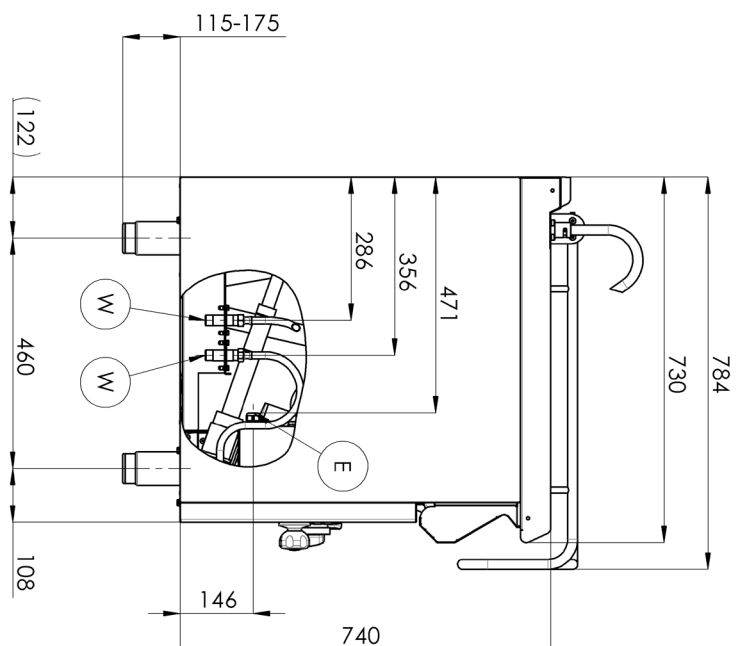
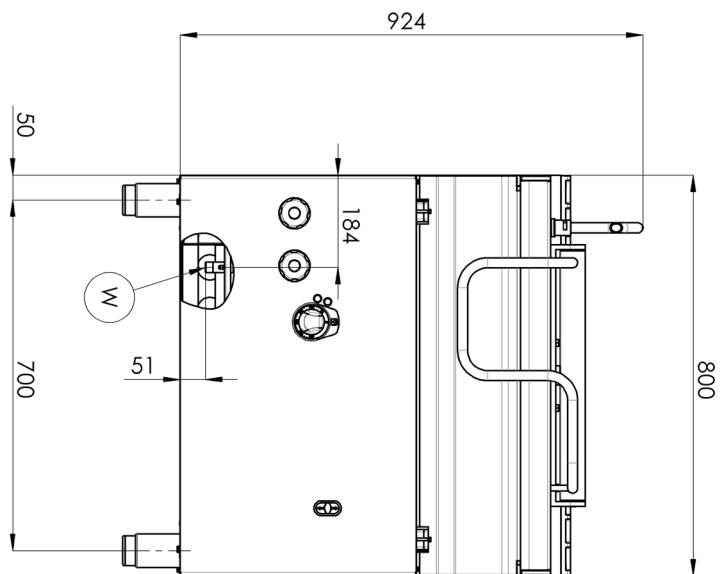
SAP Code

00020396

BRM 780 E

A group of articles - web

Pans



Technical data sheet

Technical parameters



Tilting bratt pan electric

Model	SAP Code	00020396
BRM 780 E	A group of articles - web	Pans

1. SAP Code:

00020396

2. Net Width [mm]:

800

3. Net Depth [mm]:

730

4. Net Height [mm]:

900

5. Net Weight [kg]:

157.40

6. Gross Width [mm]:

840

7. Gross depth [mm]:

800

8. Gross Height [mm]:

1080

9. Gross Weight [kg]:

167.50

10. Device type:

Electric unit

11. Power electric [kW]:

10.500

12. Loading:

400 V / 3N - 50 Hz

13. Protection of controls:

IP24

14. Exterior color of the device:

Stainless steel

15. Material:

AISI 304 top plate and cladding

16. Indicators:

operation and warm-up

17. Worktop type:

Molded - comfortable cleaning maintenance

18. Worktop material:

AISI 304

19. Worktop Thickness [mm]:

1.50

20. Basin volume [l]:

50

21. Volume capacity of the container [l]:

50.00

22. Maximum device temperature [°C]:

300

23. Minimum device temperature [°C]:

50

24. Service accessibility:

Trough the frontal panel

25. Safety thermostat:

Yes

26. Safety thermostat up to x ° C:

360

27. Adjustable feet:

Yes

28. Tilting:

Motorised

Technical data sheet

Technical parameters



Tilting bratt pan electric

Model	SAP Code	00020396
BRM 780 E	A group of articles - web	Pans

29. Bottom thickness:

12.00

30. Bottom material:

Steel

31. Type of pan:

Tilting

32. Usable volume [l]:

50

33. Filling:

Mechanical cock

34. Basin shape:

Practically shaped bathtub spout to minimize spillage

35. Water filling type:

Both cold and warm

36. Cross-section of conductors CU [mm²]:

2,5

37. Water supply connection:

1/2"